



### Industrial 5/8 Port Unmanaged Redundant Ethernet Switching Hub

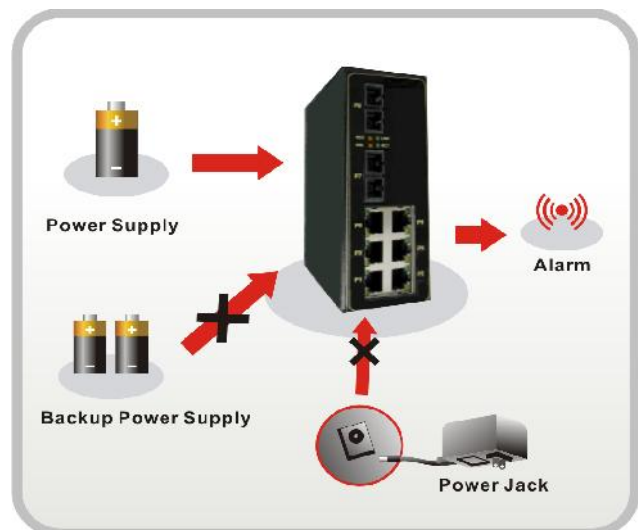
- Rigid Aluminum Case
- Redundant DC Power Input
- Broadcast Storm Protection
- -10 to 70 °C Operating Temperature
- DIN-Rail Kit
- Link Lose Forwarding Technology

#### Introduction

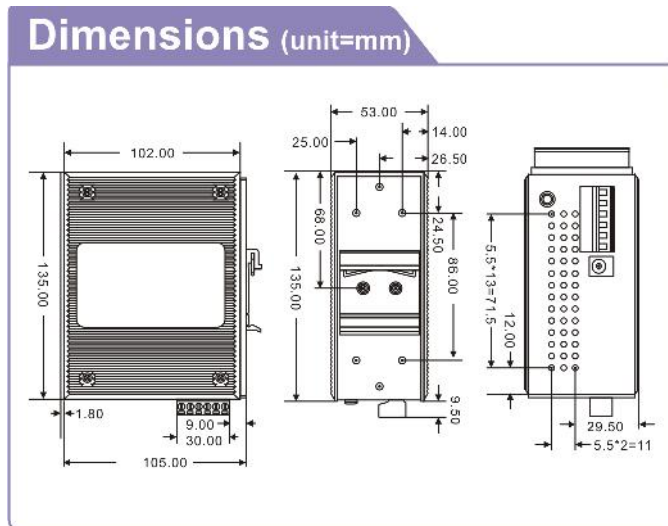
INEO-ISU-05/08 tactio™ are 5 and 8 port Industrial Ethernet Switches that are designed for a demanding network environment, Ethernet connection and the built-in smart alarm function. These products have a wide operating temperature and a high degree of vibration and shock. They provide IP30 aluminum case, DIN-rail kit and redundant power inputs.

#### Redundant Power Inputs

INEO-ISU-05/08 tactio™ provide two power inputs that can be connected simultaneously to live DC power source. If one of the power input fails, the other live source acts as a backup to automatically support the INEO-ISU-05/08's power needs.



## Dimensions



## Features

### Network Switching Technology

- 5/8 10/100Base(TX) (RJ45) ports
- Support IEEE 802.3 / 802.3u / 802.3x
- 10/100M, full/Half-Duplex, MDI/MDI-X auto-sensing
- Built-in link lose forwarding technology
- Non-blocking switching performance

### Industrial Reliability

- Power failure, port break alarm by relay output
- Redundant DC power inputs

## Specifications

### Technology

- Standard  
IEEE802.3 (10BASE-T)  
IEEE802.3u (100BASE-TX)
- Packet Buffer Memory  
512KB / 1024KB
- Processing Type  
Store and Forward
- MAC Address  
1K / 2 K

### Interface

- RJ45 Ports  
5/8 10/100BaseT(X) auto-negotiation speed, F/H-Duplex mode, and auto-MDI/MDI-X connection
- LED Indicators  
Power, Faults, 10/100M, and HDX/FDX

### Rigid Design

- Operating temperature from -10 to 70°C
- Storage temperature from -40 to 80°C
- IP 30, rigid metal case
- DIN-Rail / Wall-mounting / Desktop Installation

- Flow Control  
IEEE802.3x flow control  
Back Pressure flow control
- Filtering / Forwarding Rates  
100Mbps port - 148,800pps  
10Mbps port - 14,880pps
- Transmission Media  
10BaseT Cat. 3, 4, 5 UTP/STP  
100BaseTX Cat. 5 UTP/STP
- DIP Switch  
Port break alarm
- Alarm Contact  
One relay output with current carrying capacity of 1A @ 24 VDC

## Power

- Input Voltage  
24VDC (12 to 48 VDC), redundant inputs
- Connection  
Removable 6-pin Terminal Block
- Power Consumption  
2.8 / 4.6 Watts
- Reverse Polarity Protection  
Present

## Mechanical

- Casing  
IP30 protection, metal case
- Dimensions  
53 x 135 x 105 mm (W x H x D)
- Weight  
2.8 kg
- Installation  
DIN-Rail, Wall-mounting, Desktop

## Environment

- Operating Temperature  
-10 to 70°C
- Storage Temperature  
-40 to 80°C
- Humidity  
5 to 95% RH (non-condensing)

## Approvals

- Safety  
UL, CUL, CE, EN60950
- EMI  
FCC Part 15
- EMS  
EN61000-4-2 (ESD),  
EN61000-4-3 (RS),  
EN61000-4-4 (EFT),  
EN61000-4-5 (Surge), Level 3,  
EN61000-4-6 (CS), Level 3
- Shock  
IEC60068-2-27
- Free Fall  
IEC60068-2-32
- Vibration  
IEC60068-2-6